



Bobcat®

**Utility Vehicles
Accessory Guide**
UV34 and UV34XL



***One Tough
Animal***®

IT'S ABOUT **HOW YOU ROLL.**

**WE MAKE IT BOBCAT.
YOU MAKE IT YOURS.**

Your vehicle needs to be adaptable: to you, to the task, to your lifestyle and workstyle. Bobcat® utility vehicles are not only built for hard work; they're built to be customized for the job, with a huge variety of accessories and options.

What's your challenge? Harsh elements? Nighttime work? Difficult terrain? Room for gear? Bobcat has you covered. The right equipment is essential for tackling your hardest work, and Bobcat gives you more ways to make its utility vehicles right for you.



WHEELS AND TIRES

Whether you're hitting the trail or hauling a load, Bobcat offers a selection of tire styles to fit the different applications of your Bobcat utility vehicle. Every wheel on the UV34 and UV34XL features a non-directional tire, mounted on a single-sized rim. There's no need to have front and rear spares on hand.

TIRES (all UV34 and UV34XL)



Mud

Durable in extreme conditions with heavy loads, these tires provide a sense of confidence in deep mud. Aggressive tread patterns are designed for any trail, whether in the woods or the desert.

Part No. **7307679**

Front: 8ply - 26x9-12

Mounts on 12x6 steel rims; (P/N 7023517 orange or 7028397 black)

Part No. **7307680**

Rear: 8ply - 26x11-12

Mounts on 12x8 steel rims; (P/N 7023517 orange or 7028397 black)



All Purpose

All-purpose tires deliver a balanced combination of traction and turf protection that ensures performance in a wide range of jobsites and driving conditions.

Part No. **7027654**

Front: 25x10-12

Mounts on 12x6 steel rims; (P/N 7027785 orange or 7028398 black)

Part No. **7027655**

Rear: 25x11-12

Mounts on 12x8 steel rims; (P/N 7023517 orange or 7028397 black)



Turf

In the park or on the farm, this turf tire provides rider comfort with maximum performance. Turf tires are great for landscaping applications with little damage to the ground you are working on. (Rim sold separately)

Part No. **6989065**

Front: 25x9-12

Mounts on 12x6 steel rims; (P/N 7027785 orange or 7028398 black)

Part No. **6989066**

Rear: 25x11-12

Mounts on 12x8 steel rims; (P/N 7023517 orange or 7028397 black)



Hard Surface

The tire construction provides durability and versatility. This tread pattern enhances comfort for a smooth and quiet ride on hard surfaces and paths. (Rim sold separately)

Part No. **7027144**

Front: 25x8.5-12

Mounts on 12x6 steel rims; (P/N 7027785 orange or 7028398 black)

Part No. **7027145**

Rear: 25x10.5-12

Mounts on 12x8 steel rims; (P/N 7023517 orange or 7028397 black)



All Terrain

The all-terrain tread design provides excellent performance in dry or wet jobsites, and in hard, compact surface applications.

Part No. **7360380** | **Industrial 8ply - 26x10-12**

Mounts on 12x6 steel rims (P/N 7360379) Factory Tire.



RIMS (all UV34 and UV34XL)



Black Powder-Coated Rims

The sleek look of black wheels made with durable steel base and black powder coat.

Part No. **7028398** | **Rim 12x6**

For use with any tire – 25x9-12 or 26x9-12; Tire mounts on front axle (left or right); Includes two rims

Part No. **7028397** | **Rim 12x8**

For use with any tire – 25x11-12 or 26x11-12; Tire mounts on rear axle (left or right); Includes two rims



Orange Powder-Coated Rims

Orange wheels made with durable steel base and orange powder coat.

Part No. **7027785** | **Rim 12x6**

For use with any tire – 25x9-12 or 26x9-12; Tire mounts on front axle (left or right); Includes two rims

Part No. **7023517** | **Rim 12x8**

For use with any tire – 25x11-12 or 26x11-12; Tire mounts on rear axle (left or right); Includes two rims

Part No. **7360379** | **Rim 12x6**

Factory standard, for use with 26x9-12 Factory Tire; Tire mounts on front and rear axles of the UV34 platform; Includes two rims

MODULAR CAB ENCLOSURES

ROOFS



Sport Roof

The durable and lightweight polyethylene roof provides overhead protection from the sun and elements.

Part No. **7340676**
Models: UV34
Estimated install time 0.25 hours

Part No. **7360117**
Models: UV34XL
Estimated install time 0.5 hours



Roof Headliner

Reduce cab noise and enhance comfort for operators and passengers with this easy-to-install liner for the roof of your cab. Includes everything you need to achieve a clean fit and finish.

Part No. **7360126** | *Models: UV34*
Mounts on the sport roof (P/N 7340676);
Estimated install time 0.25 hours

Part No. **7360067** | *Models: UV34XL*
Mounts on the sport roof XL (P/N 7360117);
Estimated install time 0.5 hours

DOORS



Poly Doors – Roll-Down Glass (Front & Rear)

Close off your cab from the elements and enjoy the ultimate in comfort while you work. These lockable doors feature roll-down windows and an interior liner.

Front Part No. **7360115** | *Models: UV34, UV34XL*
Rear Part No. **7360119** | *Models: UV34XL*
Estimated install time 1 hour

Poly Doors – Power Roll-Down Glass

Close off your cab from the elements and enjoy the ultimate comfort while you work. These lockable doors feature power roll-down windows and an interior liner.

Part No. **7496467** | *Models: UV34, UV34XL*
Front doors only. Power rear doors are unavailable.
Estimated install time 2 hours



Poly Half Doors (Front & Rear)

These poly half doors feature an interior liner and an open-air experience.

Front Part No. **7496463**
Models: UV34, UV34XL
Rear Part No. **7496465**
Models: UV34XL
Estimated install time 1 hour

Clear Poly Doors (Front & Rear)

These polycarbonate doors feature double-hinged glass windows and keyed locks.

Front Part No. **7360052**
Models: UV34, UV34XL
Rear Part No. **7360054**
Models: UV34XL
Estimated install time 1 hour



Side Nets (Front & Rear)

These mesh nets provide a barrier for additional safety.

Front Part No. **7372485** | *Models: UV34, UV34XL*
Rear Part No. **7372486** | *Models: UV34XL*
Estimated install time 1 hour

WINDSHIELDS

Half Poly Windshield

A durable, half poly windshield provides riders with mix of protection and airflow for an open-cab feel.

Part No. **7343928**

Models: *UV34, UV34XL*

Estimated install time 0.25 hours



Poly Windshield

This durable polycarbonate windshield offers reliable protection from wind, inclement weather and off-road hazards.

Part No. **7342427**

Models: *UV34, UV34XL*

Estimated install time 0.25 hours

Poly Windshield With Hard Coat

This durable hard coat polycarbonate windshield is scratch-resistant and provides reliable protection from wind, inclement weather and off-road hazards.

Part No. **7342776**

Models: *UV34, UV34XL*

Estimated install time 0.25 hours



Glass Windshield

This durable glass windshield is scratch-resistant and provides reliable protection from wind, inclement weather and off-road hazards.

Part No. **7489673**

Models: *UV34, UV34XL*

Estimated install time 0.5 hours

Tip-Out Glass Windshield

The three-position design of the tip-out windshield provides reliable protection from the elements when closed or tilted. When fully extended, experience an open-cab feel. The windshield also features a gas strut assist and grab handle for easy open-and-close operation.

Part No. **7360056**

Models: *UV34, UV34XL*

Estimated install time 0.5 hours



Windshield Wiper and Washer

This kit includes a windshield wiper and a washer fluid reservoir to keep the windshield clean.

Part No. **7434447**

Models: *UV34, UV34XL*

Estimated install time 0.75 hours



MODULAR CAB ENCLOSURES

REAR PANELS

Poly Rear Panel

This durable polycarbonate rear panel offers reliable protection from wind, inclement weather and off-road hazards.

Part No. **7348965** | Models: *UV34, UV34XL*
Estimated install time 0.25 hours

Glass Rear Panel

This durable glass rear panel is scratch resistant and provides reliable protection from wind, inclement weather and off-road hazards.

Part No. **7227939** | Models: *UV34, UV34XL*
Estimated install time 0.25 hrs

Sliding Glass Rear Panel

Added comfort and protection is provided with this premium rear panel. Made of durable tempered glass with latching sliding windows for ventilation and rider comfort.

Part No. **7227941** | Models: *UV34, UV34XL*
Estimated install time 0.5 hours



PROTECTION

Front Brush Guard

Corrosion-resistant, powder-coated, heavy-gauge steel guard offers great protection to the front end of the vehicle, helping to guard against debris, brush and branches.

Part No. **7219854** | Models: *UV34, UV34XL*
Estimated install time 0.5 hours; Not compatible with the snow blade kit (P/N 7233193).



Rear Brush Guard

Corrosion-resistant steel guard offers added protection to the rear end of the vehicle, helping to protect against debris, brush and branches.

Part No. **7398465** | Models: *UV34, UV34XL*
Estimated install time 0.5 hours



Nerf Bars and XL Nerf Bars

Increase side protection with these durable nerf bars.

Part No. **7360060** | Models: *UV34*
Estimated install time 1 hour

Part No. **7360058** | Models: *UV34XL*
Estimated install time 1.5 hours



CUSTOMIZE & ACCESSORIZE

SAFETY AND COMFORT



Back-Up Alarm

Whether required by the jobsite or added as an additional warning to bystanders, a back-up alarm alerts others to your backing vehicle.

Part No. **7360113**

Models: **UV34, UV34XL**

Estimated install time 0.5 hours



Heater Kit

Heat your cab in cold weather with this heater kit – includes all components needed to heat your UTV.

Part No. **7368503** | Models: **UV34, UV34XL**

Estimated install time 3 hours



Box Tilt Safety Lock

Prevent your cargo box from tilting with the box tilt safety lock. This is recommended when using cargo box-mounted attachments.

Part No. **7269587** | Models: **UV34, UV34XL**

Estimated install time 0.5 hours



Horn

Make others aware of your presence with this horn kit.

Part No. **7373325**

Models: **UV34, UV34XL**

Estimated install time 0.75 hours



Door-Mounted Side View Mirrors

The adjustable door-mounted side view mirrors provide increased visibility. They are fully adjustable to accommodate riders of all sizes and can fold in to prevent being struck by obstacles.

Part No. **7496470** | Models: **UV34, UV34XL**

Estimated install time 0.5 hours



Side View Swivel Mirrors

Increase visibility with these frame-mounted side mirrors. These are not compatible with doors.

Part No. **7403508** | Models: **UV34, UV34XL**

Estimated install time 0.5 hours



Grab Handle

Make entering and exiting easier by adding an additional grab handle.

Part No. **7194742** | Models: **UV34, UV34XL**

Estimated install time 0.25 hours



Turn Signal

Add turn signals to the front and rear of your utility vehicle to alert others.

Part No. **7374830** | Models: **UV34, UV34XL**

Estimated install time 1 hour

Rear View Mirror

The rear view mirror assists in the safe operation of your vehicle.

Part No. **7311257** | Models: **UV34, UV34XL**

Estimated install time 0.5 hours

Wide-Angle Rear View Mirror

The 14-inch wide x 2.5-inch tall wide-angle rear view mirror gives you a full-spectrum view. The rugged stamped steel construction is designed to withstand the rigors of off-road conditions.

Part No. **7496469** | Models: **UV34, UV34XL**

Estimated install time 0.5 hours

CUSTOMIZE & ACCESSORIZE

SAFETY AND COMFORT

Speed Kit (Gas) – Flash Only

Increase the top speed of your utility vehicle from 35 mph to 40 mph.

Part No. **7362498**

Models: *UV34, UV34XL*

Estimated install time 0.25 hours

PLEASE NOTE: Requires preinstalled side nets or doors for operator retention.

Speed Kit (Gas) – Std. & XL

Increase the top speed of your utility vehicle from 35 mph to 40 mph. The kit includes side nets.

Part No. **7362499**

Model: *UV34*

Estimated install time 1.25 hours

Part No. **7405822**

Model: *UV34XL*

Estimated install time 2.25 hours

Speed Limit Kit 25 mph (Diesel)

Set a maximum speed of 25 mph on your diesel utility vehicle.

Part No. **7360123**

Models: *UV34, UV34XL*

Estimated install time 2 hours

Speed Limit Kit 15 mph (Diesel)

Set a maximum speed of 15 mph on your diesel utility vehicle.

Part No. **7360127**

Models: *UV34, UV34XL*

Estimated install time 2 hours



UTILITY



Front Receiver Hitch

Add versatility to your UTV with this front-mounted 2-inch receiver hitch.

Part No. **7219862**

Models: **UV34, UV34XL**

Estimated install time 1 hour



Heated Battery Blanket

Improve starting ability in cold weather by warming the battery core with this heated battery blanket.

Part No. **7261292**

Models: **UV34, UV34XL**

Estimated install time 1 hour



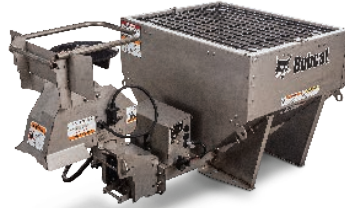
Air Filter Service Gauge

Easy-to-read gauge that indicates when air filter needs to be serviced.

Part No. **7372502**

Models: **UV34, UV34XL**

Estimated install time 0.5 hours



Sand and Salt Spreader

Save time, use less material, and spread sand or salt more evenly than is possible by hand.

Part No. **7444035**

Models: **UV34, UV34XL**

Estimated install time 5 hours;
Includes controller, wire harness and all necessary mounting hardware. Required to have either the electrical power cargo box lift (P/N 7360318) or the box hold down kit (P/N 7269587).

Sand/Salt Spreader Accessories

7455397 V Inverted Kit | 7455399 Work Light Kit

7455400 Strobe Light Kit | 7455401 Vibrator Kit

7455402 Spill Guard Kit | 7455398 Tarp



Power Cargo Box Lift

Unload your box cargo with this electric box lift without leaving the driver seat.

Part No. **7360318**

Models: **UV34, UV34XL**

Estimated install time 0.5 hours



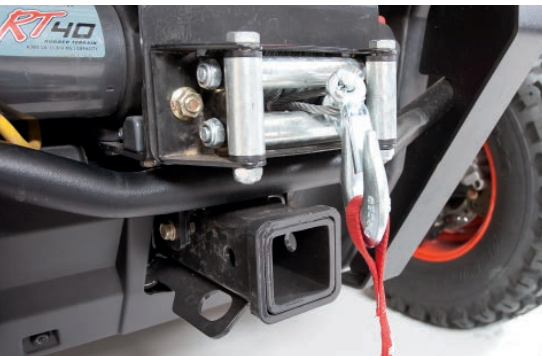
Fire Extinguisher Bracket

Allows you to safely secure a 3.25-inch-diameter fire extinguisher. The fire extinguisher is not included.

Part No. **7327575**

Models: **UV34, UV34XL**

Estimated install time 0.5 hours



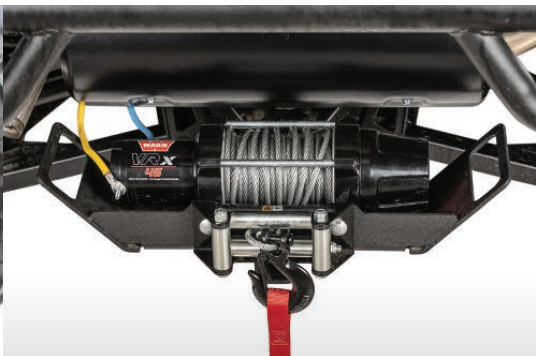
Integrated Winch

The integrated winch with a steel cable is rated to pull 4,500 pounds. Controls are integrated into your vehicle's design.

Part No. **7498373**

Models: **UV34, UV34XL**

Estimated install time 2.5 hours



Multi-Mount Winch

The multi-mount winch with a steel cable is rated to pull 4,500 pounds. It can be mounted to the optional front or standard rear receiver hitch. Includes dash-mounted and handheld controllers.

Part No. **7385765**

Models: **UV34, UV34XL**

Estimated install time 2.5 hours



Diesel Engine Block Heater

Improve cold starts and startup lubrication of your diesel engine by adding a block heater.

Part No. **7397972**

Models: **UV34, UV34XL**

Estimated install time 0.5 hours

CUSTOMIZE & ACCESSORIZE

ELECTRICAL AND LIGHTING



LED Work Lights

Get a set of two powerful, efficient and reliable LED lights to increase visibility in the evening or while working in low-light conditions.

Front Lights Part No. **7364082**

Rear Lights Part No. **7364120**

Models: UV34, UV34XL

Estimated install time 0.75 hours each; If mounting to the middle of the UTV is needed, a power redirect harness (P/N 7365698) or roof power bar (P/N 7360050) is required.



Strobe Light

The strobe light increases visibility in traffic or low-visibility conditions.

Part No. **7364087**

Models: UV34, UV34XL

Estimated install time 0.75 hours; Requires a power redirect harness (P/N 7365698) or roof (P/N 7340676 or P/N 7360117) and power bar (P/N 7360050).

LED Light Bar

Boost your illumination down the trail or on the job. This tough LED light bar is just what you need for bright visibility during the evening or while working in dark areas. Includes two spot lights and two flood lights.

Part No. **7257391**

Models: UV34, UV34XL

Estimated install time 1 hour; The harness adaptor plug (P/N 7360277) is required, unless wiring directly to the battery.



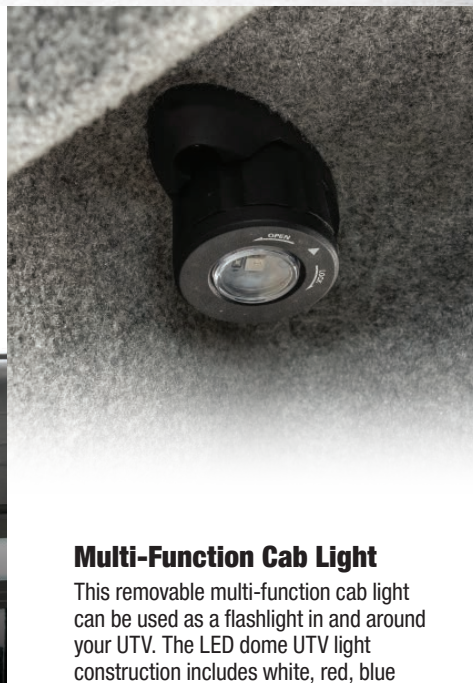
360-Degree Work Light

Illuminate 360° around your vehicle with this foldaway work light. It is ideal for plowing, hunting and nighttime utility work.

Part No. **7360320**

Models: UV34, UV34XL

Estimated install time 1 hour; The UV34 requires a roof light harness (P/N 7489545), and the UV34 XL requires a roof light harness extension (XL) (P/N 7489547).



Multi-Function Cab Light

This removable multi-function cab light can be used as a flashlight in and around your UTV. The LED dome UTV light construction includes white, red, blue and green options for a variety of uses. Use the red light for reading maps or any activity you want to save your night vision for. Opt for the green light to navigate in the dark without disturbing the game. Blue light is perfect for night hunting without sacrificing your night vision, or night fishing since it doesn't produce any glare when shined through the water.

Part No. **7360121**

Models: UV34, UV34XL

Estimated install time 0.25 hours; Requires the roof (P/N 7340676 or P/N 7360117) and power bar (P/N 7360050) or power redirect harness (P/N 7365698).





Power Bar Adaptor Plug

This harness with connector and fuse link allows you to quickly install electrical accessories.

Part No. **7360277**

Models: UV34, UV34XL

Estimated install time 0.5 hours



Power Redirect Harness

Allows for installation of key electrical accessories anywhere on the vehicle.

Part No. **7365698**

Models: UV34, UV34XL

Estimated install time 0.5 hours



Roof Light Harness & XL Harness Extension

Power your roof-mounted lights with the flip of a switch.

Part No. **7489545** | *Models: UV34, UV34XL*

Part No. **7489547** | *Models: UV34XL*

Estimated install time 0.5 hours each



Roof Power Bar

Add power access for cab-mounted electrical accessories in the center or rear of your utility vehicle, such as rear LED lights, strobe light or dome light.

Part No. **7360050** | *Models: UV34, UV34XL*

Estimated install time 0.5 hours; Requires roof (P/N 7340676 or P/N 7360117).

AUDIO AND TECH



Rear Overhead Speakers

Enhances the audio in your cab with two 6.5-inch speakers that mount into the roof.

Part No. **7360131** | *Models: UV34, UV34XL*

Estimated install time 1 hour; Requires radio kit (P/N 7360129) and roof (P/N 7340676 or 7360117).



Radio & Speakers

The audio system comes with an AM/FM tuner with an external antenna for reliable reception, a powerful amplifier, two robust 5.25-inch speakers, USB input and Bluetooth® capabilities.

Part No. **7360129** | *Models: UV34, UV34XL*

Estimated install time 1.5 hours

Garage Door Opener

The garage door opener installs directly into an available dash switch location and can be programmed to operate up to two doors.

Part No. **7360133**

Models: UV34, UV34XL

Estimated install time 1 hour



Telematics

Recover your vehicle if stolen or lost.

Part No. **7267607**

Models: UV34, UV34XL

Estimated install time 0.75 hours



CUSTOMIZE & ACCESSORIZE



RACKS AND STORAGE

Chainsaw Mount

Transport your chainsaw by adding a chainsaw mount to the cargo box.

Part No. **7228079**

Models: UV34, UV34XL

Estimated install time 0.25 hours



Cargo Box Anchor

This anchor secures Lock & Ride compatible accessories to the cargo box.

Part No. **7198444**

Models: UV34, UV34XL

Estimated install time 0.25 hours



Tip-Down Headache Rack

This versatile Lock & Ride tip-down headache rack provides extra storage flexibility and protects your cab when in the upright position.

Part No. **7305973** | *Models: UV34, UV34XL*

Estimated install time 0.5 hours





Aluminum Bed Box

Keep your gear organized and secure. However big or small, this aluminum bed box will store and transport your gear.

Part No. **7497755**

Models: *UV34, UV34XL*

Estimated install time: 0.5 hours

Gun Boot

Safely secure your firearm up to 52 inches in length. The boot has a single-handed lid opening for quick access, locking capability, and includes a removable, shock-absorbing foam and nylon impact liner that provides superior interior protection.

Part No. **7497736**

Models: *UV34, UV34XL*

Estimated install time 0.25 hours;

Requires double gun boot mount

(P/N 7496472) or single gun boot mount

(P/N 7497754) for secure transport.



Double Gun Boot Mount

Perfect for hunters, this double gun boot mount provides a secure place to mount up to two gun boots so firearms can be transported safely without using up any cargo box space. The auto-latching design provides quick and secure attachment to your vehicle.

Part No. **7496472**

Models: *UV34, UV34XL*

Estimated install time 0.5 hours



Single Gun Boot Mount

Perfect for hunters, this rugged Stronghold® auto-latch gun boot mount provides a secure place to mount a gun boot so firearms can be transported safely without using up any cargo bed space. The auto-latching design provides quick and secure product attachment to your vehicle.

Part No. **7497754**

Models: *UV34, UV34XL*

Estimated install time 0.25 hours



Ratcheting Grip

Transport your tools or firearms securely and safely with lightweight and durable grips. These U-shaped grips tightly grab your cargo and keep it secure when traveling. Mounts to the cargo box with the Lock & Ride system. Includes two grips.

Part No. **7496475**

Models: *UV34, UV34XL*

Estimated install time 0.25 hours



Multi Tool Rack

Carry up to five tools securely to wherever work calls. Constructed from heavy-duty steel, the tool rack can accommodate tools of all shapes and sizes, securely holding them in place with easy-to-operate rubber retention straps. Lock & Ride technology allows the tool rack to be mounted inside or outside of the cargo box.

Part No. **7496476**

Models: *UV34, UV34XL*

Estimated install time 0.5 hours

CUSTOMIZE & ACCESSORIZE



Roof Rack and XL Roof Rack

Bring everything you need wherever the trail takes you with this Rhino-Rack® box/roof rack. This industry-first partnership delivers unmatched load-carrying versatility for your UTV. Rhino-Rack's platform is for the seasoned adventurer, farmer, rancher or hunter who wants to carry their gear securely and efficiently. No more tools bouncing around in your cab or cargo box, because this rack can be equipped with a wide variety of versatile attachments that protect and secure your load no matter what the terrain brings. This rack is a necessity if you use your UTV for work and play; with easy-install attachments, you can swap from workday to weekend in minutes. This rack can be installed either in the cargo box or on the roof of your UTV. Mount for each is sold separately.

Part No. **7497742**
Models: UV34, UV34XL
 Estimated install time 1 hour;
 The roof rack mount
 (P/N 7497738) is required.

Part No. **7497744**
Models: UV34XL
 Estimated install time 1 hour;
 The roof rack mount
 (P/N 7497740) is required.



Roof Rack Mount and XL Mount

Easily install your Rhino-Rack platform to the roof of your UTV with this mount and included hardware. Once installed, load up gear for your next job or adventure. Innovative secure bolting mechanism ensures a tight fit and long life. For use with the Rhino-Rack system. Rack sold separately.

Part No. **7497738**
Models: UV34
 Estimated install time 0.5 hours

Part No. **7497740**
Models: UV34XL
 Estimated install time 0.75 hours



Eyelet Tie-Downs

Haul dirt, mulch, logs, hay, tools or a variety of uneven loads with ease. These eyelet tie-downs attach in multiple places on the platform to help you customize your load carrying setup. For use with the Rhino-Rack system. Rack sold separately.

Part No. **7497748**
Models: UV34, UV34XL
 Estimated install time 0.25 hours



Corner Cargo Bracket

Easily transport your cooler, toolbox, tackle box and more with this Rhino-Rack corner cargo bracket. The slotted base allows for increased maneuverability when installed. The unique anti-rotation nut ensures that your square or rectangular objects will remain secure while riding. For use with the Rhino-Rack system. Rack sold separately.

Part No. **7497746** | *Models: UV34, UV34XL*
 Estimated install time 0.25 hours



High-Lifting Jack Mount

Bring your jack everywhere you go so you are prepared to change a spare without compromising cab space or leaving your jack loose in the cargo box. For use with the Rhino-Rack system. Rack sold separately.

Part No. **7497750** | *Models: UV34, UV34XL*
 Estimated install time 0.25 hours



Multi-Purpose Tool Holder

This pair of holders can hold a wide variety of long, narrow items like a fishing rod, ax, shovel, rake, post hole digger or a paddle. Easily swap from work to play by unclamping your tools and securing your toys with the ratchet-locking mechanism. The rubber inserts protect your tools against the vibration of the ride. For use with the Rhino-Rack system. Rack sold separately.

Part No. **7497752** | *Models: UV34, UV34XL*
 Estimated install time 0.25 hours

SNOW BLADES



Light-Duty Straight Blade

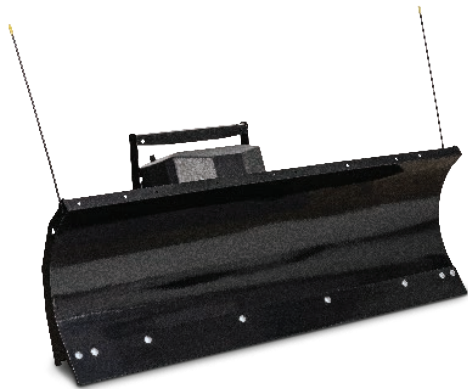
Durable 72-inch wide by 21-inch tall poly snow plow blade with double wall reinforcement. Deep 6-inch radius rolls and moves snow for quick and easy plowing.

Part No. **7498184**

Models: UV34, UV34XL

Estimated install time 1.5 hours;

Integrated winch (P/N 7385761) is required.



72-Inch Heavy-Duty Straight Blade

Plow through deep drifts to clear snow from sidewalks, walkways, driveways and more. Easy to install and remove. The hand-held controller easily raises, lowers and angles the blade. 350 pounds of down pressure provides superior backdragging performance while the direct lift eliminates bouncing during travel.

Part No. **7527320**

Models: UV34, UV34XL

Estimated install time 3 hours;

Includes controller, wire harness and all necessary mounting hardware.

Heavy-Duty Straight Blade Accessories

7535375 Heavy-Duty Straight Blade Rubber Deflector Kit

7535381 Heavy-Duty Straight Blade Poly Cutting Edge Kit

7535383 Heavy-Duty Straight Blade Shoe Assembly Kit

7535387 Joystick Control With Bracket



72-Inch Mid-Duty Straight Blade

Get cost-effective and productive plowing performance. Easy to install and remove, this lightweight option uses minimal power and excels at light snow clearing. The sway frame keeps the blade centered for easy maneuverability, and the direct lift eliminates bouncing during travel.

Part No. **7527320**

Models: UV34, UV34XL

Estimated install time 3 hours;

Includes controller, wire harness and all necessary mounting hardware.

Mid-Duty Straight Blade Accessories

7535377 Mid-Duty Straight Blade Poly Cutting Edge Kit

7535379 Mid-Duty Straight Blade Show Assembly Kit



72-Inch Heavy-Duty V-Blade

Handle a wide variety of snow removal needs with five adjustable configurations. In the straight-blade position, operators can clear a swath of snow 72 inches wide, while in the V position, choose between a wide setting (66 inches) and a narrow setting (60 inches). Double-acting angle cylinders allow for easy independent wing adjustment, and the direct lift eliminates bouncing during travel.

Part No. **7519472**

Models: UV34, UV34XL

Estimated install time 3.5 hours;

Includes controller, wire harness and all necessary mounting hardware.

Recommend XL front spring for standard size machines when mounting Heavy-Duty V-Blade.

Heavy-Duty V-Blade Accessories

7535391 Heavy-Duty V-Blade Rubber Deflector Kit

7535393 Heavy-Duty V-Blade Poly Cutting Edge Kit

7535395 Heavy-Duty V-Blade Shoe Assembly Kit

7535387 Joystick Control With Bracket



YOU ARE ONE TOUGH ANIMAL.®

Everything we put into Bobcat equipment is designed to make more of whatever you bring to the job. Whether it's strength, versatility, speed or agility, it's built around you.

Certain specification(s) are based on engineering calculations and are not actual measurements. Specification(s) are provided for comparison purposes only and are subject to change without notice. Specification(s) for your individual Bobcat equipment will vary based on normal variations in design, manufacturing, operating conditions, and other factors.

DOOSAN

Bobcat Company is a member of the Doosan Group. Doosan is a global leader in construction, grounds maintenance and material handling equipment, power and water solutions, and engineering that has proudly served customers and communities for more than a century. Bobcat®, the Bobcat logo and the colors of the Bobcat machine are registered trademarks of Bobcat Company in the United States and various other countries. ©2023 Bobcat Company. All rights reserved.



Printed on 10% recycled paper

P010 (11/23)
EP-XX-1123-6834-F

Bobcat Company

250 East Beaton Drive • West Fargo, ND 58078

Bobcat.com



Bobcat®

One Tough Animal.